

EXPLORER

SAFELY EXPLORING
LEADING SMART FUTURE





A JOINT VENTURE OF
EAT•N | **HUYU**

COMPANY PROFILE

Huanyu High-Tech Co., Ltd. is a high tech enterprise focusing on the development, manufacturing and marketing of low-voltage electrical components. Established on Zhejiang High Tech. Co, Ltd of Huanyu Group in early 2021, we are a joint venture of Huanyu Group, a large national conglomerate company, and Eaton Group, a global power management company.

Our products are widely used in many applications including power grids, network communications, new energy, metallurgy, chemical industry, transportation, manufacturing and construction, serving various well-known customers such as the State Grid, China Southern Power Grid, Evergrande Real Estate, Vanke, Country Garden, Poly Real Estate, R&F Properties, the Three Gorges of the Yangtze River, Daqing Oilfield, Jiangsu Power Grid, Xi'an Jiaotong University, Guangzhou Baiyun Airport, Shanghai Disney, China FAW, China Railway, and China Railway Construction. Now we have 10+ integrated service centers, 30+ sales offices, 600+ terminal image specialty shops, and over 800 sales outlets in mainland China.

We have been awarded the National Contract-honoring and Trustworthy Enterprise, National Customer-satisfied Enterprise, National High-Tech Enterprise, Zhejiang Well-known Trade Name, Zhejiang Green Enterprise, Zhejiang Major Taxpayer, and Wenzhou

Mayor Quality Award. In addition, we have been certified with ISO9001 Quality Management System, ISO14001 Environmental Management System and ISO45001 Occupational Health and Safety Management System, and passed more than 10 international certification including the KEMA standard of Netherlands, UL standard of the United States, CE standard of the European Union, TÜV standard of Germany, FI standard of France, and CB system. We have a national post-doctoral research station, a provincial technology research institute, and a nationally accredited CNAS laboratory. We also have more than 100 national invention patents and utility model patents, and has implemented the National Torch Plan and major provincial scientific research and development projects. Our products have been rated as China Famous Brand Products, National Customer-satisfied Products, and Zhejiang Famous Brand Products. Besides, we have been awarded Zhejiang Manufacturing Quality Certificate and have the right to use Zhejiang "Pin", a word mark meaning quality.

Committed to smart electric to make life better, we will continue to focus on product innovation, talent development, and smart manufacturing, to build a modernized global electrical enterprise.



Safely Exploring Leading Smart Future



Industry leading design platform
Mainstream performance, safe and reliable



Comprehensive product range
Offering updated, safer and complete protection



Clear and intuitive logo, readable



Flexible wiring methods: both upper and lower incoming are available, adaptable standard requirement in each region



"Visible safety": a contact indication window is added for reliable indication of the contact's disconnected position



Can be used in more severe application environments, with ambient temperature from -35°C to +70°C, meeting various application requirements



Up to seven mounting accessories are available, meeting a variety of needs for functional extension



A complete series of accessories for universal use, offering simple and convenient selection



Easy and reliable mounting
Tool-free mounting



Unique mechanism design, delivering enhanced current limiting capacity, up to 6kA breaking capacity, and superior performance, ensuring the safety of personnel and equipment



Brand new industrial outline design through simple lines and with distinctive design concept, showcasing product quality in every detail



Unique mechanism design, significantly improving service life; mechanical life is up to 20,000 operations, and electrical life up to 10,000 operations

CONTENT



01

Product Description

- 1-3 Product data
- 4-6 Product description and selection

02

Miniature Circuit Breaker

- 7 EXB3-40 Miniature circuit breaker
- 8 EXB3-63 Miniature circuit breaker
- 9 EXB3-63H Miniature circuit breaker
- 10 EXB3-125 Miniature circuit breaker

03

Residual Current Circuit Breaker with Overcurrent Protection

- 11 EXB3LY-63 Residual Current Circuit Breaker with Overcurrent Protection
- 12 EXB3LE-63(H) Residual Current Circuit Breaker with Overcurrent Protection
- 13 EXB3LE-125 Residual Current Circuit Breaker with Overcurrent Protection

04

Residual current operated circuit breakers (magnetic)

- 14 EXB3L1 -100 Residual current operated circuit breakers without over-current protection (magnetic)

05

Disconnecter Switch

- 15 EXH3-125 Disconnecting switch

06




Accessories



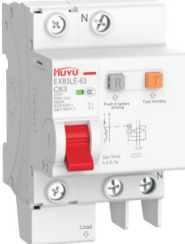
- 16-17 EXB3-63 Accessory
- 18-19 EXB3-125 Accessory

07

Appendix

- 20-22 Tripping characteristics
- 23-24 Temperature coefficient correction table

Product model	EXB3-40	EXB3-63	EXB3-63H
			
Standards	GB/T 10963.1、IEC 60898-1	GB/T 10963.1、IEC 60898-1	GB/T 10963.1、IEC 60898-1
Number of poles	1P+N	1P、1P+N、2P、3P、3P+N、4P	1P、1P+N、2P、3P、3P+N、4P
Rated current (A)	6~40	1~63	1~63
Rated voltage (V)	AC230	AC230 (1P、1P+N) AC400 (2P、3P、3P+N、4P)	AC230 (1P、1P+N) AC230/400 (2P) AC400 (3P、3P+N、4P)
Rated frequency(Hz)	50/60	50/60	50/60
Residual current type	-	-	-
Rated residual operating current I _{Δn} (mA)	-	-	-
Rated short-circuit breaking capacity I _{cu} (A)	4500	6000	10000
Operating short-circuit breaking capacity I _{cs} (A)	4500	6000	7500
Rated short-time withstand current I _{cw} (kA)	-	-	-
Rated short-circuit making capacity I _{cm} (kA)	-	-	-
Rated impulse withstand voltage U _{imp} (1.2/50) (kV)	4	6	4
Dielectric testing voltage(V)	(power frequency 1min) 2000	(power frequency 1min) 2000	(power frequency 1min) 2000
Mechanical life (times)	20000	20000	20000
Electrical life (times)	10000	10000	10000
Thermal magnetic tripping characteristics	B (3I _n ~ 5I _n)	■	■
	C (5I _n ~ 10I _n)	■	■
	D (10I _n ~ 20I _n)	■	■
	C (6.4I _n ~ 9.6I _n)		
	Regular (8I _n ~ 12I _n)		
D (9.6I _n ~ 14.4I _n)			
Anti-humidity (GB/T2423.4)	28 periodic cycles , RH: 90-96% at 55°C RH: 95-100% at 25°C	28 periodic cycles , RH: 90-96% at 55°C RH: 95-100% at 25°C	28 periodic cycles , RH: 90-96% at 55°C RH: 95-100% at 25°C
Benchmark ambient temperature (°C)	30	30	30
Operating ambient temperature (°C)	-35 ~ +70	-35 ~ +70	-35 ~ +70
Storage ambient temperature (°C)	-35 ~ +85	-35 ~ +85	-35 ~ +85
Applicable altitude height (m)	≤2000m	≤2000m	≤2000m
Max. wiring capacity (mm ²)	10	25	25
Max. ultimate torque (N·m)	1.5	2	2
Incoming method	Top or bottom enter	Top or bottom enter	Top or bottom enter
Mounting method	TH35-7.5 standard rail mounting	TH35-7.5 standard rail mounting	TH35-7.5 standard rail mounting
Pollution degree	2	2	2
Protection degree	Direct mounting	IP20	IP20
	Mounted in the distribution box	IP40	IP40
Accessories that can be assembled	OF auxiliary contact SD alarm contact MX+OF shunt release MN under-voltage release MV over-voltage release MVMN over/under-voltage release MNs no-voltage release	OF auxiliary contact SD alarm contact MX+OF shunt release MN under-voltage release MV over-voltage release MVMN over/under-voltage release MNs no-voltage release	OF auxiliary contact SD alarm contact MX+OF shunt release MN under-voltage release MV over-voltage release MVMN over/under-voltage release MNs no-voltage release

Product model	EXB3-125	EXB3LY-63	EXB3LE-63
			
Standards	GB/T 14048.2、IEC 60947-2	GB/T 16917.1、IEC61009-1	GB/T 16917.1、IEC61009-1
Number of poles	1P、1P+N、2P、3P、3P+N、4P	1P+N	1P+N、2P、3P、3P+N、4P
Rated current (A)	63~125	6~63	6~63
Rated voltage (V)	AC230 (1P、1P+N) AC400 (2P、3P、3P+N、4P)	AC230V	AC220/230/240 (1P+N、2P) AC380/400/415 (3P、3P+N、4P)
Rated frequency(Hz)	50/60	50/60	50/60
Residual current type	-	Type AC	Type AC
Rated residual operating current I _{Δn} (mA)	-	30、50	30、50、75、100、300
Rated short-circuit breaking capacity I _{cu} (A)	6000、10000 (Type H)	6000	6000
Operating short-circuit breaking capacity I _{cs} (A)	6000、7500 (Type H)	6000	6000
Rated short-time withstand current I _{cw} (kA)	-	-	-
Rated short-circuit making capacity I _{cm} (kA)	-	-	-
Rated impulse withstand voltage U _{imp} (1.2/50) (kV)	4	4	4
Dielectric testing voltage(V)	1890	(power frequency 1min) 2000	(power frequency 1min) 2000
Mechanical life (times)	20000	20000	20000
Electrical life (times)	6000 (I _n ≤100A) , 4000 (I _n >100A)	10000	10000
Thermal magnetic tripping characteristics	B (3I _n ~ 5I _n)	■	■
	C (5I _n ~ 10I _n)	■	■
	D (10I _n ~ 20I _n)	■	■
	C (6.4I _n ~ 9.6I _n)		
	Regular (8I _n ~ 12I _n)		
D (9.6I _n ~ 14.4I _n)			
Anti-humidity (GB/T2423.4)	28 periodic cycles , RH: 90-96% at 55°C RH: 95-100% at 25°C	28 periodic cycles , RH: 90-96% at 55°C RH: 95-100% at 25°C	28 periodic cycles , RH: 90-96% at 55°C RH: 95-100% at 25°C
Benchmark ambient temperature (°C)	30	30	30
Operating ambient temperature (°C)	-35 ~ +70	-35 ~ +70	-35 ~ +70
Storage ambient temperature (°C)	-35 ~ +85	-35 ~ +85	-35 ~ +85
Applicable altitude height (m)	≤2000m	≤2000m	≤2000m
Max. wiring capacity (mm ²)	50	25	25
Max. ultimate torque (N·m)	3.5	2	2
Incoming method	Top or bottom enter	Top-in,Bottom-out	Top-in,Bottom-out
Mounting method	TH35-7.5 standard rail mounting	TH35-7.5 standard rail mounting	TH35-7.5 standard rail mounting
Pollution degree	3	2	2
Protection degree	IP20	IP20	IP20
	IP40	IP40	IP40
Accessories that can be assembled	OF auxiliary contact SD alarm contact MX+OF shunt release MN under-voltage release MV over-voltage release MVMN over/under-voltage release MNs no-voltage release	OF auxiliary contact SD alarm contact MX+OF shunt release MN under-voltage release MV over-voltage release MVMN over/under-voltage release MNs no-voltage release	OF auxiliary contact SD alarm contact MX+OF shunt release MN under-voltage release MV over-voltage release MVMN over/under-voltage release MNs no-voltage release

EXB3LE-63H

EXB3LE-125

EXB3L1-100

EXH3-125



GB/T 16917.1, IEC61009-1	GB/T 14048.2, IEC 60947-2	GB/T 16916.1, IEC 61008-1	GB/T 14048.3, IEC 60947-3
1P+N, 2P, 3P, 3P+N, 4P	1P+N, 2P, 3P, 3P+N, 4P	2P, 4P	1P, 2P, 3P, 4P
6~63	63~125	16~100	20-125
AC220/230/240 (1P+N, 2P) AC380/400/415 (3P, 3P+N, 4P)	AC230 (1P+N, 2P) AC400 (3P, 3P+N, 4P)	AC240 (2P) AC415(4P)	AC220V/230V/240V (1P) , AC230V(2P), AC380V/400V/415V (2P, 3P, 4P)
50/60	50/60	50/60HZ	50/60
Type AC	Type AC	Type AC A	-
30, 50, 75, 100, 300	30, 50, 75, 100, 150, 200, 300	10(16-40A), 30, 50, 100, 300	-
10000	10000	10000	-
7500	7500	10000	-
-	-	-	1.5
-	-	-	2.5
4	4	4	6
(power frequency 1m) 2000	1890	(power frequency 1m) 2000	1890
20000	20000	20000	8500
10000	6000 (In≤100A) , 4000 (In > 100A)	10000	3000
▪			
▪			
▪			
28 periodic cycles , RH: 90-96% at 55°C RH: 95-100% at 25°C	28 periodic cycles , RH: 90-96% at 55°C RH: 95-100% at 25°C	28 periodic cycles , RH: 90-96% at 55°C RH: 95-100% at 25°C	
30	30	30	30
-35 ~ +70	-35 ~ +70	-35 ~ +70	
-35 ~ +85	-35 ~ +85	-35 ~ +85	
≤2000m	≤2000m	≤2000m	
25	50	50	50
2	3.5	3.5	3.5
Top-in,Bottom-out	Top-in,Bottom-out	Top-in,Bottom-out	Top or bottom enter
TH35-7.5 standard rail mounting	TH35-7.5 standard rail mounting	TH35-7.5 standard rail mounting	TH35-7.5 standard rail mounting
2	3	2	2
IP20	IP20	IP20	IP20
IP40	IP40	IP40	
OF auxiliary contact SD alarm contact MX+OF shunt release MN under-voltage release MV over-voltage release MVMN over/under-voltage release MNs no-voltage release	OF auxiliary contact SD alarm contact MX+OF shunt release MN under-voltage release MV over-voltage release MVMN over/under-voltage release MNs no-voltage release		

Product description

The miniature circuit breakers can be used in circuit with AC 50Hz/60Hz, rated voltage up to 400V, and rated current up to 125A, to offer overload and short-circuit protection for construction power distribution, similar power line facilities and electrical equipment.

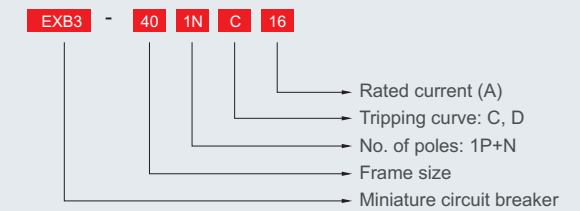
The residual current circuit breakers can be used in circuit with AC 50Hz/60Hz, rated voltage up to 400V, and rated current up to 125A, to offer residual current, overload and short circuit protections. They can also be used for direct or indirect personal protection against electric shock or for protection against fire hazards due to ground fault currents.

The disconnecting switches can be used in circuit with AC 50Hz/60Hz, rated voltage up to 400V, and rated current up to 125A, to offer isolating and functional breaking for terminal power distribution.

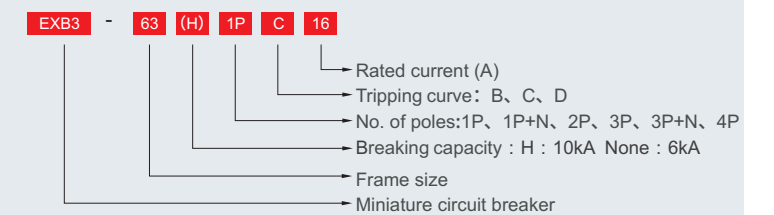
Product selection



Product model description (40A Frame Size Miniature Circuit Breaker)

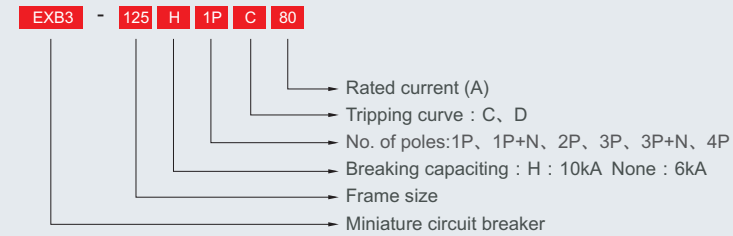


Product model description (63A Frame Size Miniature Circuit Breaker)

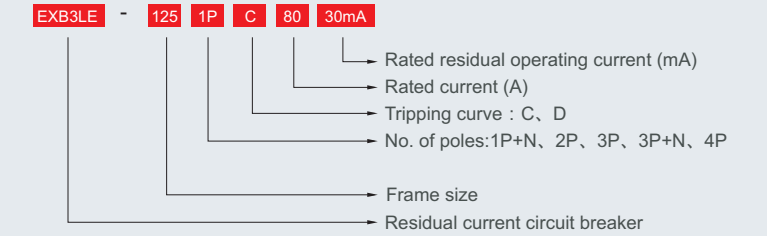




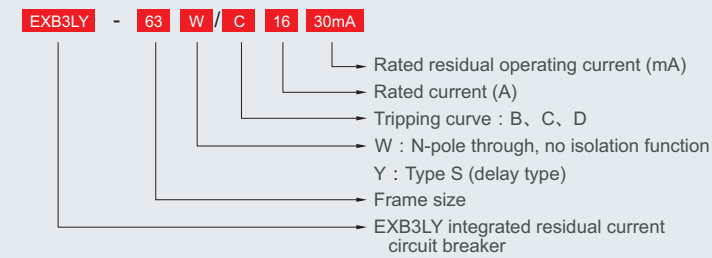
Product model description (125A frame size miniature circuit breaker)



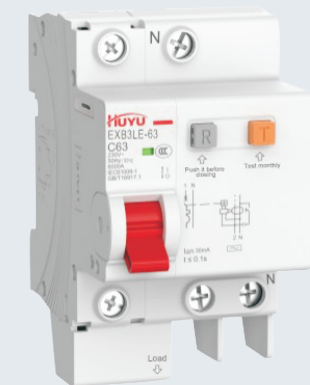
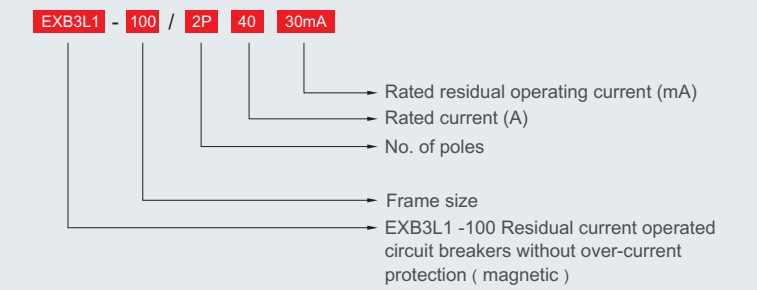
Product model description (125A frame size residual current circuit breaker)



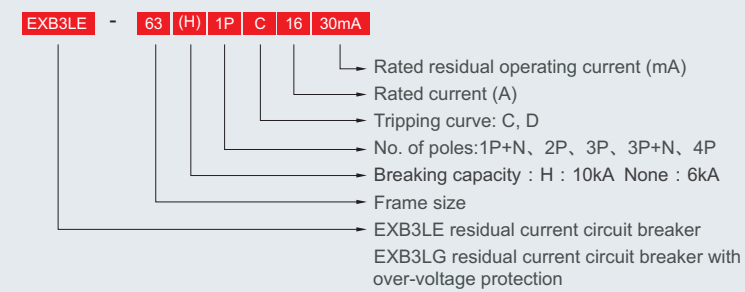
Product model description (63A frame size residual current circuit breaker)



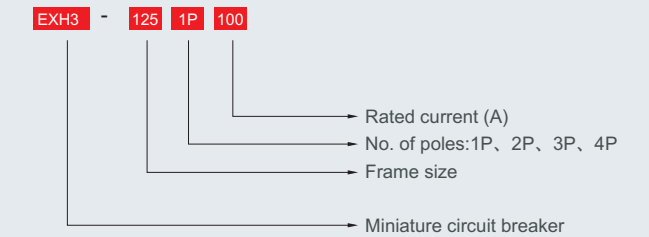
Product model description (40A Frame Size Miniature Circuit Breaker)



Product model description (63A frame size residual current circuit breaker)



Product model description (125A frame size disconnecting switch)



In accordance with GB/T 10963.1 and IEC60898-1

The EXB3-40 miniature circuit breakers functions:

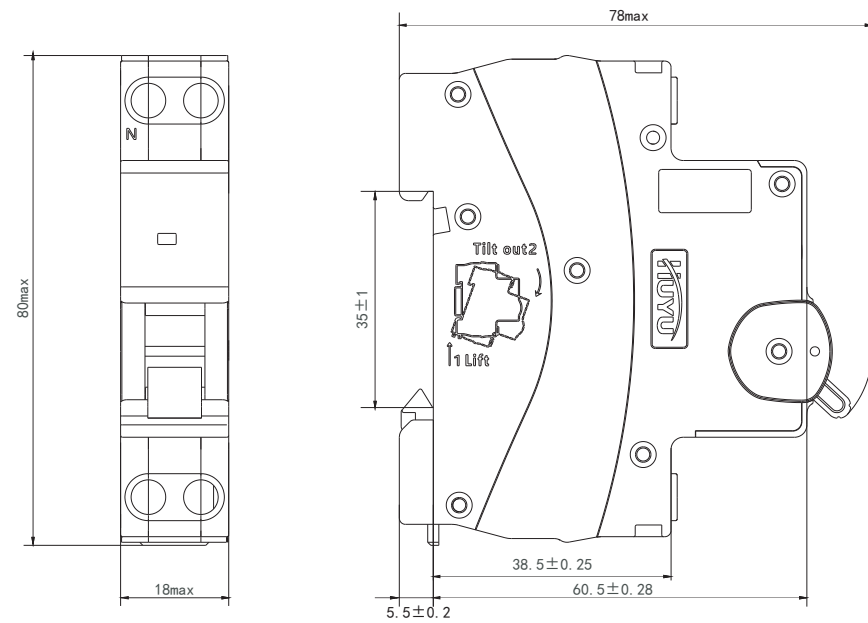
- Overload protection
- Short-circuit protection
- Isolation function



Technical data

Product model	EXB3-40
No. of poles	1P+N
Rated current	6A, 10A, 16A, 20A, 25A, 32A, 40A
Rated voltage	AC230V
Rated operating frequency	50Hz/60Hz
Rated impulse withstand voltage	4kV
Rated short-circuit breaking capacity	4500A
Operating short-circuit breaking capacity	4500A
Instantaneous tripping type	C, D
Mechanical life(times)	20000
Electrical life(times)	10000

Outlines and dimensions



In accordance with GB/T 10963.1 and IEC 60898-1

The EXB3-63 miniature circuit breakers functions:

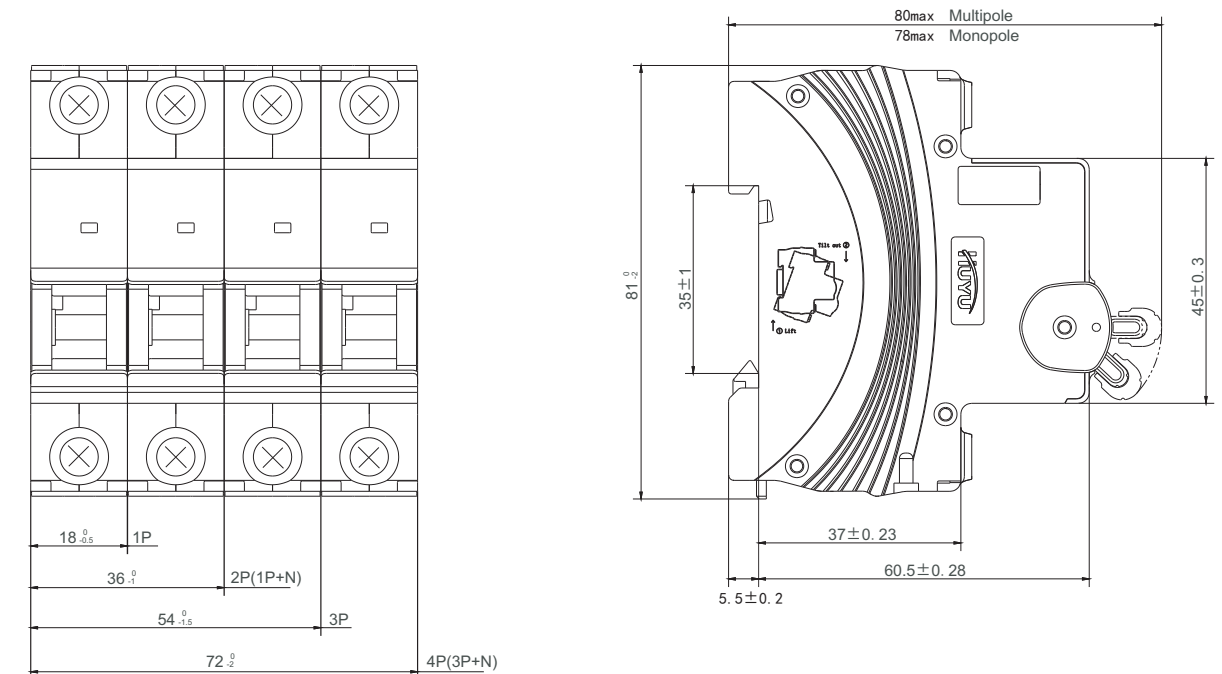
- Overload protection
- Short-circuit protection
- Isolation function



Technical data

Product model	EXB3-63
No. of poles	1P, 1P+N, 2P, 3P, 3P+N, 4P
Rated current	1A, 2A, 3A, 4A, 6A, 10A, 16A, 20A, 25A, 32A, 40A, 50A, 63A
Rated voltage	AC230V(1P, 1P+N), AC400V(2P, 3P, 3P+N, 4P)
Rated operating frequency	50Hz/60Hz
Rated impulse withstand voltage	6kV
Rated short-circuit breaking capacity	6000A
Operating short-circuit breaking capacity	6000A
Instantaneous tripping type	B, C, D
Mechanical life(times)	20000
Electrical life(times)	10000

Outlines and dimensions



In accordance with GB/T 10963.1 and IEC60898-1

The EXB3-63H miniature circuit breakers functions:

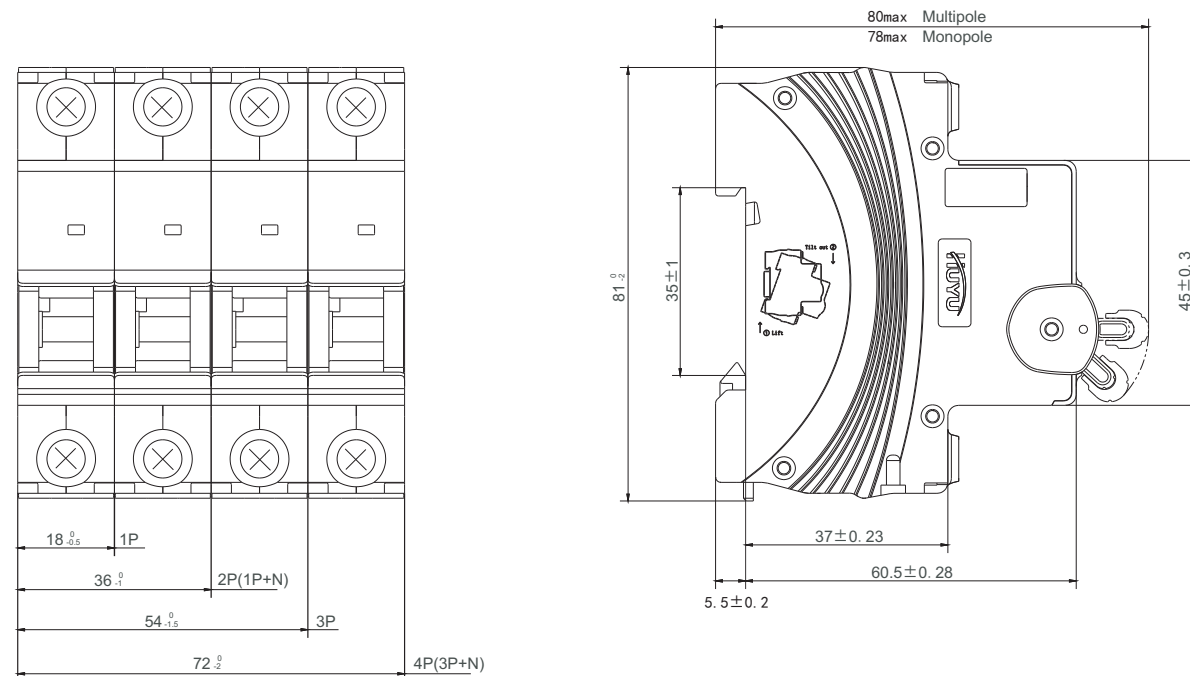
- Overload protection
- Short-circuit protection
- Isolation function

Technical data



Product model	EXB3-63H
No. of poles	1P, 1P+N, 2P, 3P, 3P+N, 4P
Rated current	1A, 2A, 3A, 4A, 6A, 10A, 16A, 20A, 25A, 32A, 40A, 50A, 63A
Rated voltage	AC230V(1P, 1P+N), AC230V/400V(2P), AC400V(3P, 3P+N, 4P)
Rated operating frequency	50Hz/60Hz
Rated impulse withstand voltage	4kV
Rated short-circuit breaking capacity	10000A
Operating short-circuit breaking capacity	7500A
Instantaneous tripping type	B, C, D
Mechanical life(times)	20000
Electrical life(times)	10000

Outlines and dimensions



In accordance with GB/T 14048.2 and IEC 60947-2

The EXB3-125 miniature circuit breakers functions:

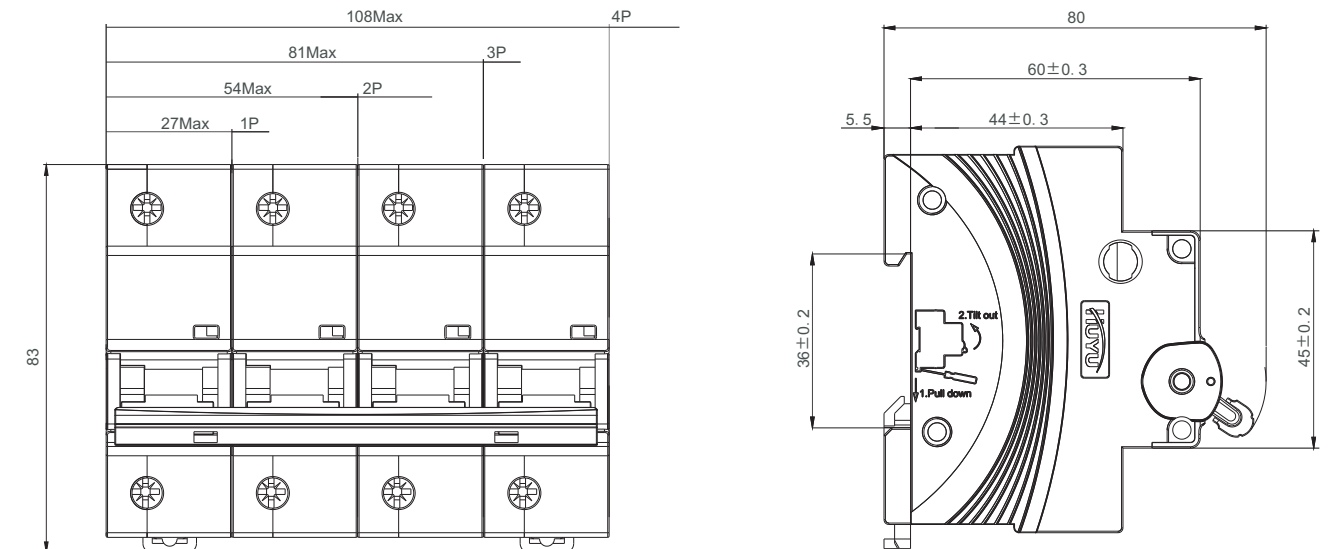
- Overload protection
- Short-circuit protection
- Isolation function

Technical data



Product model	EXB3-125
No. of poles	1P, 1P+N, 2P, 3P, 3P+N, 4P
Rated current	63A, 80A, 100A, 125A
Rated voltage	AC230V (1P, 1P+N) , C400V (2P, 3P, 3P+N, 4P)
Rated operating frequency	50Hz/60Hz
Rated impulse withstand voltage	4kV
Rated short-circuit breaking capacity	6000A, 10000A (H type)
Operating short-circuit breaking capacity	6000A, 7500A (H type)
Instantaneous tripping type	C, D
Mechanical life(times)	20000
Electrical life(times)	6000 (In≤100A) , 4000 (In>100A)

Outlines and dimensions



EXB3LY Residual Current Circuit Breaker with Overcurrent Protection

Functions and Features

In accordance with GB/T 16917.1 and IEC 61009-1

The EXB3LY-63 residual current circuit breakers offer below functions:

- Overload protection
- Short-circuit protection
- Isolation function
- Earth leakage current production

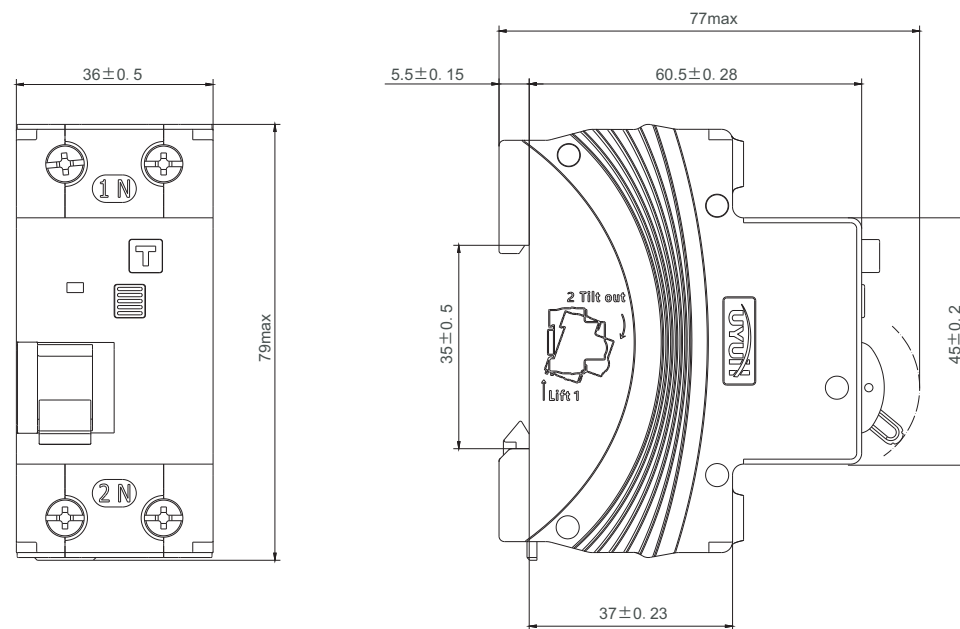
Technical data

Product model	EXB3LY-63
No. of poles	See Table 1
Rated current	6A, 10A, 16A, 20A, 25A, 32A, 40A, 50A, 63A
Rated voltage	AC230V
Rated operating frequency	50Hz/60Hz
Rated impulse withstand voltage	4kV
Breaking capacity	See Table 1
Rated residual operated current	30mA, 50mA(only 50mA for delay type)
Instantaneous tripping type	See Table 1
Mechanical life(times)	20000
Electrical life(times)	10000
Residual current type	See Table 1

Table 1

Product model	No. of Poles	Breaking capacity Icn	Breaking capacity Ics	Instantaneous tripping type	Residual current type	Remark
EXB3LY-63	1P+N, N-pole with break point	6000A	6000A	B, C, D	Type AC	With isolation function
EXB3LY-63W	1P+N, N-pole through	6000A	6000A			Without isolation function
EXB3LY-63Y	1P+N, N-pole with break point	6000A	6000A			With isolation function

Outlines and dimensions



EXB3LE Residual Current Circuit Breaker with Overcurrent Protection

Functions and Features

In accordance with GB/T 16917.1 and IEC 61009-1

The EXB3LE-63 (H) residual current circuit breakers functions:

- Overload protection
- Short-circuit protection
- Isolation function
- Earth leakage current production

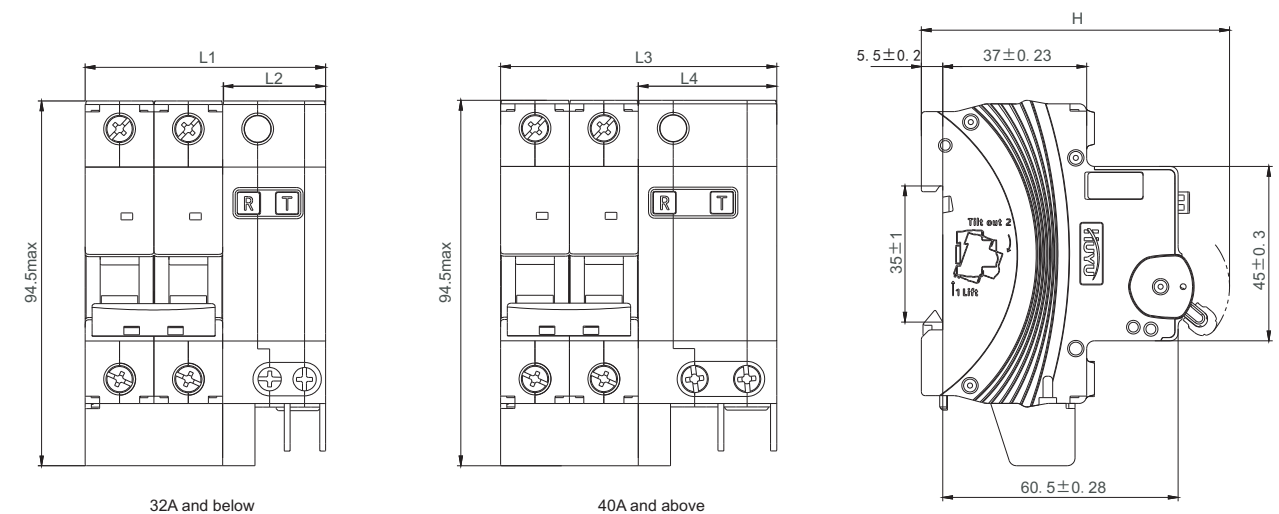
Technical data

Product model	EXB3LY-63(H)
No. of poles	See Table 1
Rated current	6A, 10A, 16A, 20A, 25A, 32A, 40A, 50A, 63A
Rated voltage	AC220V/230V/240V (1P+N, 2P) , AC380V/400V/415V (3P, 3P+N, 4P)
Rated operating frequency	50Hz/60Hz
Rated impulse withstand voltage	4kV
Breaking capacity	See Table 1
Rated residual operated current	30mA, 50mA, 75mA, 100mA, 300mA(only 30mA for EXB3LG)
Instantaneous tripping type	See Table 1
Over-voltage protection range	See Table 1
Mechanical life(times)	20000
Electrical life(times)	10000
Residual current type	See Table 1

Table 1

Product model	No. of poles	Breaking capacity Icn	Breaking capacity Ics	Over-voltage protection range	Instantaneous tripping type	Residual current type
EXB3LE-63	1P+N, 2P, 3P, 3P+N, 4P	6000A	6000A	-	B, C, D	Type AC
EXB3LE-63H	1P+N, 2P, 3P, 3P+N, 4P	10000A	7500A	-		
EXB3LG-63	1P+N, 2P	6000A	6000A	(280±5%)V	C	Type AC

Outlines and dimensions



Rated current	Width	1P+N	2P	3P	3P+N	4P
≤32	L1(mm)	45 ^{±0.0}	63 ^{±0.2}	90 ^{±0.4}	99 ^{±0.4}	117 ^{±0.6}
	L2(mm)	27 ^{±0.6}	27 ^{±0.6}	36 ^{±0.6}	45 ^{±0.6}	45 ^{±0.6}
40, 50, 63	L3(mm)	54 ^{±0.0}	72 ^{±0.2}	103.5 ^{±0.4}	117 ^{±0.4}	135 ^{±0.6}
	L4(mm)	36 ^{±0.6}	36 ^{±0.6}	49.5 ^{±0.6}	63 ^{±0.6}	63 ^{±0.6}
	H(mm)	78 ^{±0.0}	80 ^{±0.0}	80 ^{±0.0}	80 ^{±0.0}	80 ^{±0.0}

EXB3LE Residual Current Circuit Breaker with Overcurrent Protection

Functions and Features

In accordance with GB/T 16917.1 and IEC 61009-1

The EXB3LE-125 residual current circuit breakers functions:

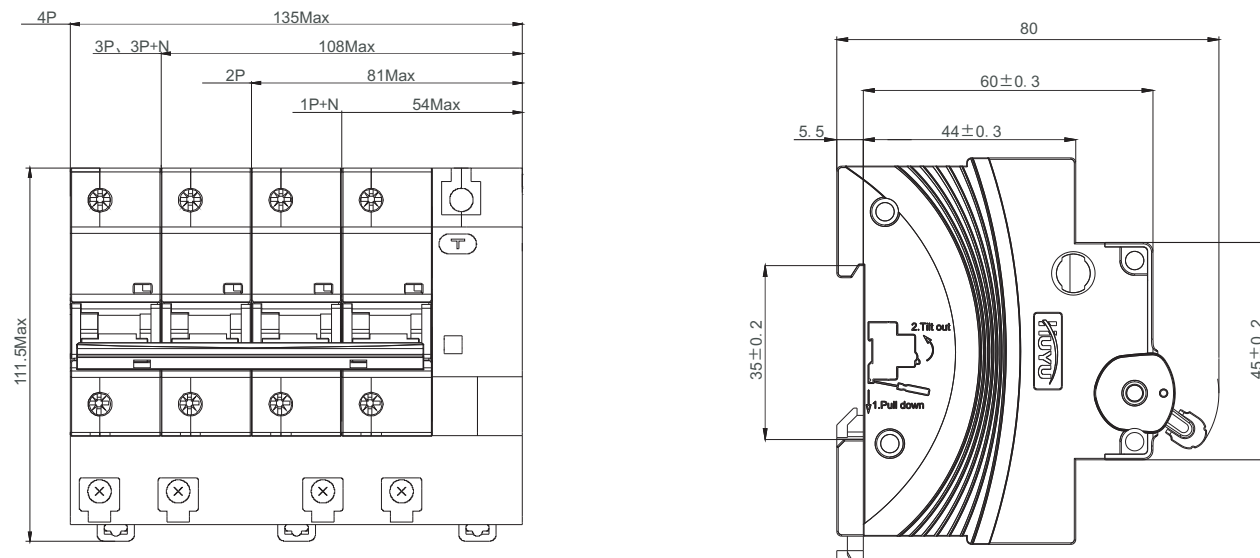
- Overload protection
- Short-circuit protection
- Isolation function
- Earth leakage current production



Technical data

Product model	EXB3LE-125
No. of poles	1P+N, 2P, 3P, 3P+N, 4P
Rated current	63A, 80A, 100A, 125A
Rated voltage	AC230V (1P+N, 2P), AC400V (3P, 3P+N, 4P)
Rated operating frequency	50Hz/60Hz
Rated impulse withstand voltage	4kV
Rated short-circuit breaking capacity	10000A
Operational short-circuit breaking capacity	7500A
Rated residual operated current	30mA, 50mA, 75mA, 100mA, 150mA, 200mA, 300mA
Instantaneous tripping type	C, D
Mechanical life(times)	20000
Electrical life(times)	6000 (In ≤ 100A), 4000 (In > 100A)

Outlines and dimensions



EXB3L1 Residual current operated circuit breakers without over-current protection (magnetic)

Functions and Features

In accordance with IEC61008-1, GB/T 16916.1

The EXB3L1-100 residual current circuit breakers functions:

- Isolation function
- Earth leakage current production



Technical data

Items	Parameter
Standards	GB/T 16916.1, GB/T 16916.21, IEC61008-1
Rated voltage(Ue)	240V(2P), 415V(4P)
Insulation voltage(Ui)	500V
Rated impulse withstand voltage(Uimp)	4kV
No. of poles	2P, 4P
Rated current (In)	16A,25A,32A,40A,50A,63A,80A,100A
Rated residual operating current(IΔn)	10mA(16A,25A,32A,40A),30mA,50mA,100mA,300mA
Type	AC, A
Rated current making & breaking capacity(I _m)	1000A
Rated residual current making & breaking capacity(IΔ _m)	1000A
Rated conditional short-circuit current(I _{nc})	10kA
Rated residual conditional short-circuit current(IΔ _c)	10kA

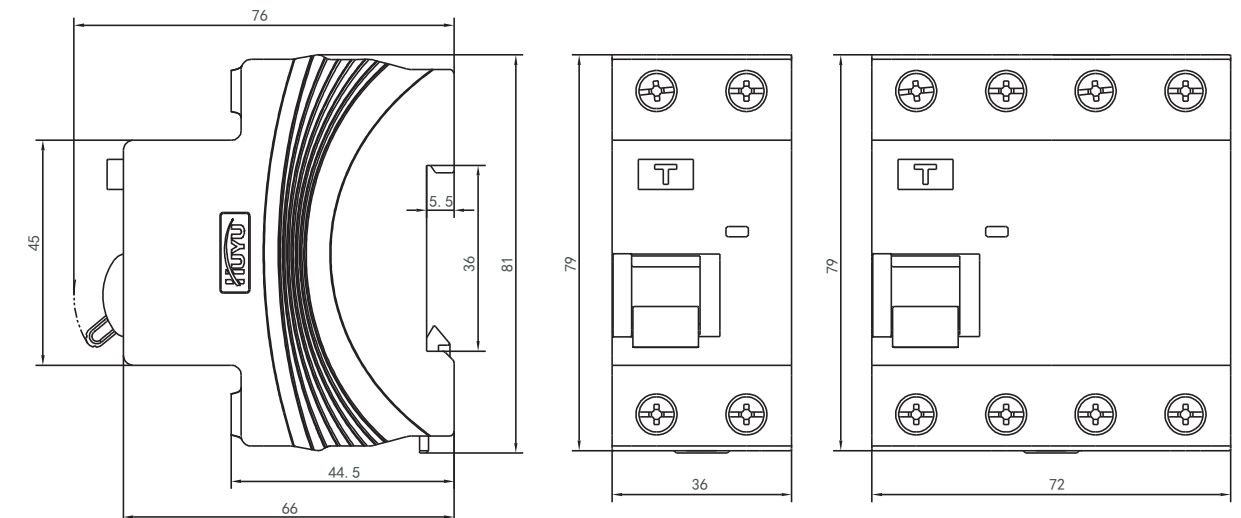
Breaking time of residual current under IΔn

Type (wave form of the earth leakage sensed)	IΔn(mA)	In(A)	Maximum breaking time			
			IΔn	2IΔn	5IΔn	250mA
Rated sensitivity of A/AC type	>30	16A,25A,32A,40A	0.1	0.1	0.04	—
	≤30	50A,63A,80A,100A	0.1	0.1	—	0.04
Rated sensitivity of A type	IΔn(mA)	In(A)	Maximum breaking time			
			1.4IΔn	2.8IΔn	7IΔn	0.35A
	>30	16A,25A,32A,40A	0.1	0.1	0.04	—
	≤30	50A,63A,80A,100A	0.1	0.1	—	0.04

The circuit breaker is connected with cable (the cable selection is shown in Table 3), Tightening torque:2.0 N·m ~ 2.5 N·m

Rated current In(A)	16, 20	25	32	40, 50	63	80	100
Terminal size for cable(mm ²)	2.5	4	6	10	16	25	35

Outlines and dimensions



In accordance with GB/T 14048.3 and IEC60947-3

The EXH3-125 disconnecter switches offer below functions:

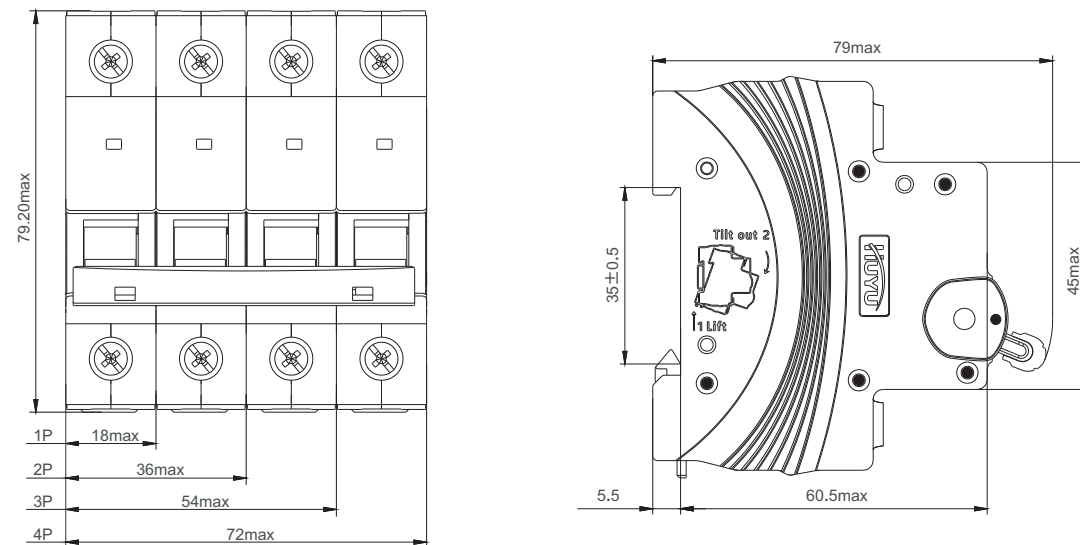
- Isolation function

Technical data

Product model	EXH3-125
No. of poles	1P, 2P, 3P, 4P
Rated current	20A, 25A, 32A, 40A, 50A, 63A, 80A, 100A, 125A
Rated insulation voltage	500V
Rated voltage	AC220V/230V/240V (1P) , AC230V(2P), AC380V/400V/415V (2P, 3P, 4P)
Rated operating frequency	50Hz/60Hz
Rated impulse withstand voltage	6kV
Rated short-time withstand current	1.5kA(RMS), t=1s
Rated short-circuit making capacity	2.5kA(peak)
Mechanical life(times)	8500
Electrical life(times)	3000
Utilization type	AC-22A, AC-21B



Outlines and dimensions



Remote indication accessories

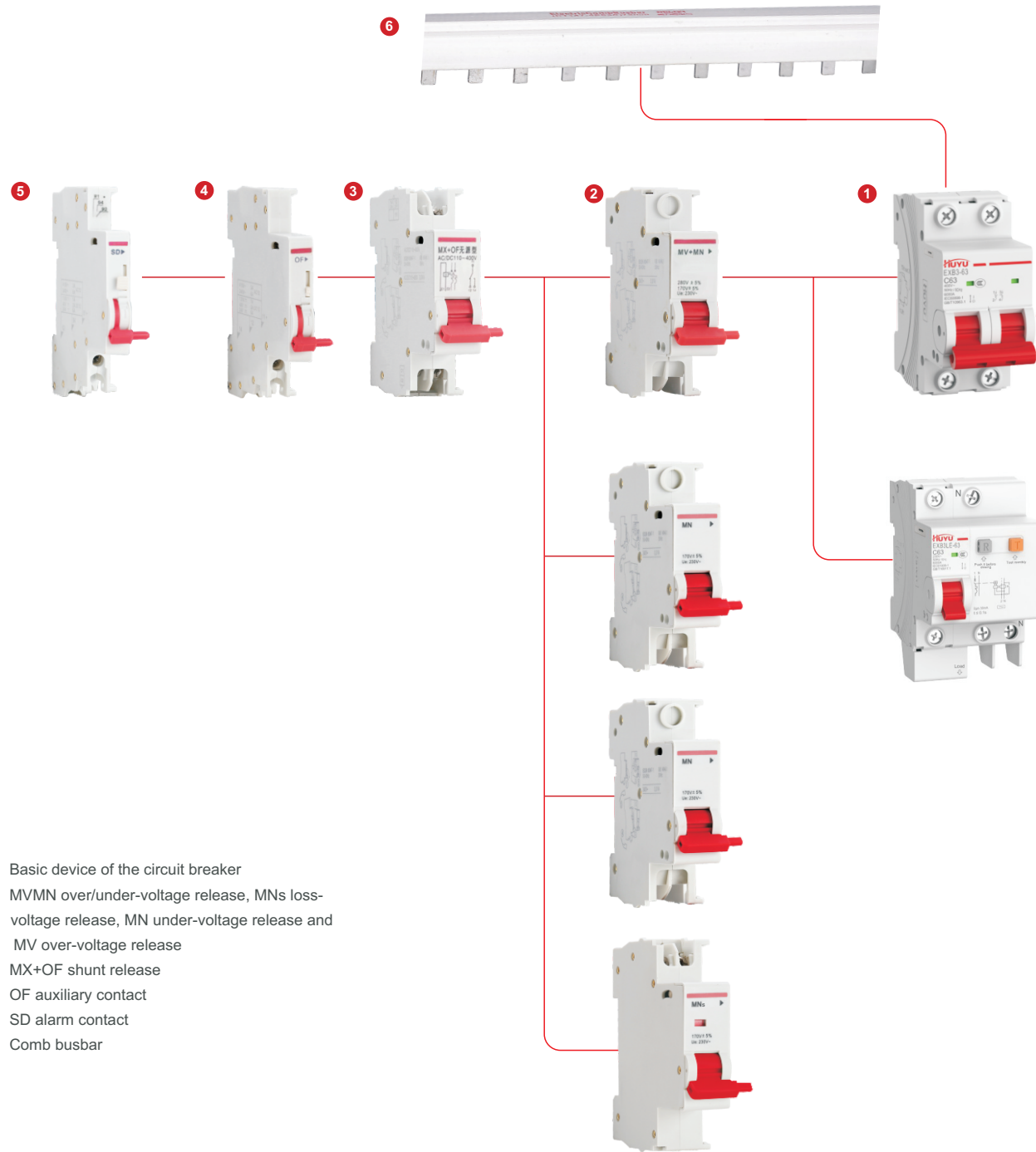
- OF auxiliary contact
 - External circuit, indicating the circuit breaker's ON/OFF status
 - Basic type of auxiliary contact: 1NO/1NC
 - Wiring capacity: 1-2.5mm² wire
- SD alarm contact
 - Send signals of fault tripping of the circuit breaker
 - With mechanical indication available on the front panel, to indicate fault tripping
 - Basic type of auxiliary contact: 1NO/1NC
 - Wiring capacity: 1-2.5mm² wire

Tripping accessories

- MX+OF shunt release
 - External circuit, indicating the circuit breaker's ON/OFF status
 - The circuit breaker for use with the release will be triggered to trip upon receiving a signal
 - Basic type of auxiliary contact: 1NO/1NC
 - Wiring capacity: 1-2.5mm² wire
- MV over-voltage release
 - Provide line protection due to over-voltage fault
 - The circuit breaker for use with the release will be triggered to trip when the voltages at both ends of the releasee rise to the rated voltage range
 - With fault tripping indication available on the front panel, to indicate an over-voltage tripping with the indicator popped up
 - Rated operating tripping over-voltage: (280±14) V AC
 - Wiring capacity: 1-2.5mm² wire
- MN under-voltage release
 - Provide line protection due to under-voltage fault
 - The circuit breaker for use with the release will be triggered to trip when the voltages at both ends of the releasee drop to the rated voltage range
 - With fault tripping indication available on the front panel, to indicate under-voltage tripping with the indicator popped up
 - Rated operating tripping under-voltage: (161±8.05) V AC
 - Under-voltage protection range: (35%~70%) of U_e
 - Wiring capacity: 1-2.5mm² wire
- MVMN over/under-voltage release
 - Provide line protection due to over-voltage and under-voltage fault
 - The circuit breaker for use with the release will be triggered to trip when the voltages at both ends of the releasee rise or drop to the rated range
 - With fault tripping indication available on the front panel, to indicate over-voltage or under-voltage tripping with the indicator popped up
 - Rated operating tripping over-voltage: (280±14) VAC
 - Rated operating tripping under-voltage: (161±8.05) VAC
 - Under-voltage protection range: (35%~70%) of U_e
 - Wiring capacity: 1-2.5mm² wire
- MNs loss-voltage release
 - The circuit breaker for use with the release will be triggered to trip when the power supply voltage drops to the rated range, to achieve under-voltage protection
 - Ensure the circuit breaker to close normally when the power supply voltage returns to normal
 - Prevent the circuit breaker from re-closing when the power supply voltage is zero or drops to the rated voltage range
 - With fault tripping indication available on the front panel, to indicate under-voltage tripping when popped up
 - Rated operating tripping under-voltage: (161±8.05) VAC, with under-voltage protection range of (35%~70%) of U_e
 - Normal recovery voltage: ≥85%U_e, with loss-voltage protection range <35%U_e
 - Wiring capacity: 1-2.5mm² wire



Accessory mounting diagram



- 1、 Basic device of the circuit breaker
- 2、 MVMN over/under-voltage release, MNs loss-voltage release, MN under-voltage release and MV over-voltage release
- 3、 MX+OF shunt release
- 4、 OF auxiliary contact
- 5、 SD alarm contact
- 6、 Comb busbar

Mounting instruction

- 1、 Accessories can be assembled to breaker left side by tool-free.
- 2、 The total mounting width is within 54mm, including OF, SD (3 max.) +MO, MNs, MV, MN, MVMN (2 max.) + MCB from left to right.

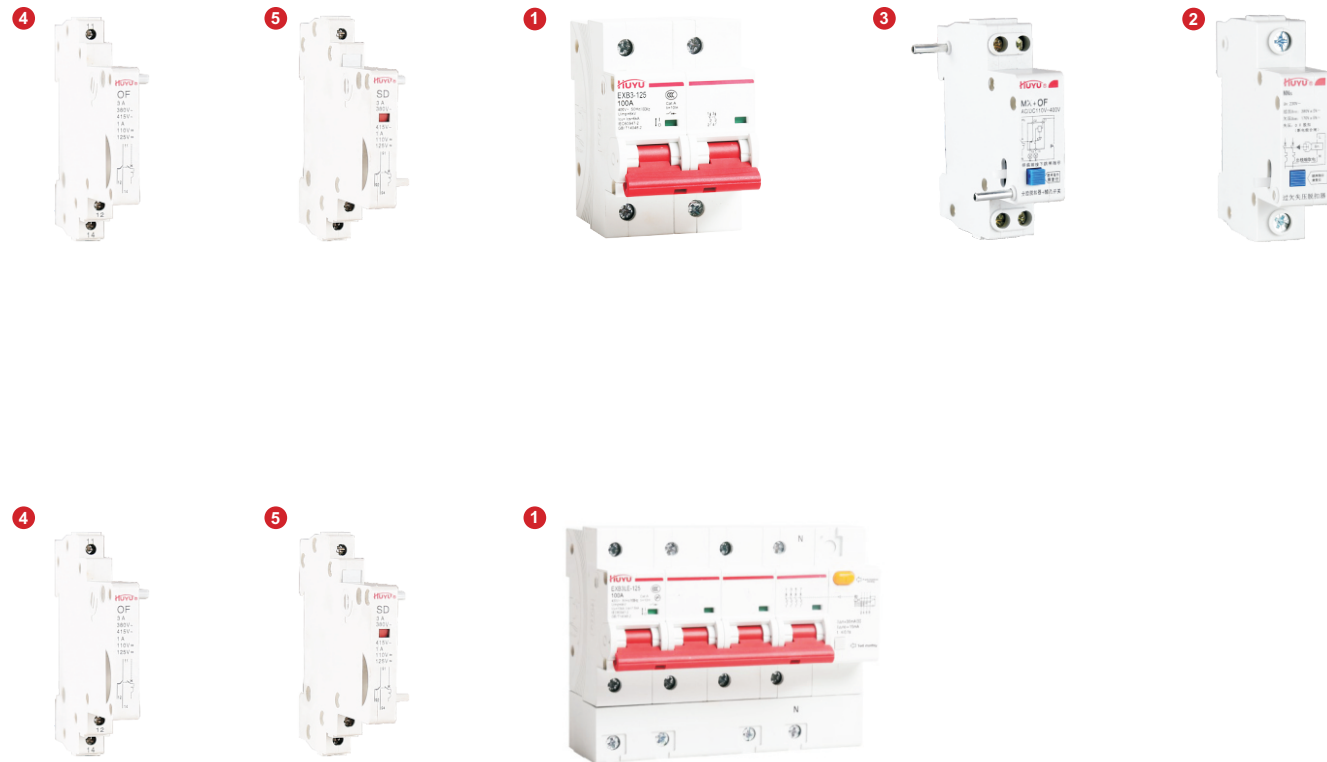
Remote indication accessories

- OF auxiliary contact
 - External circuit, indicating the circuit breaker's ON/OFF status
 - Basic type of auxiliary contacts: 1NO/1NC
 - Wiring capacity: 1-2.5mm² wire
- SD alarm contact
 - Send signals of fault tripping of the circuit breaker
 - With mechanical indication available on the front panel, to indicate fault tripping
 - Basic type of auxiliary contacts: 1NO/1NC
 - Wiring capacity: 1-2.5mm² wire

Tripping accessories

- MX+OF shunt release
 - External circuit, indicating the circuit breaker's ON/OFF status
 - The circuit breaker for use with the release will be triggered to trip upon receiving a signal
 - Basic type of auxiliary contacts: 1NO/1NC
 - Wiring capacity: 1-2.5mm² wire
- MV over-voltage release
 - Offer line protection in case of over-voltage faults
 - The circuit breaker for use with the release will be triggered to trip when the voltages at both ends of the releasee rise to the rated voltage range
 - With fault tripping indication available on the front panel, to indicate an over-voltage tripping with the indicator popped up
 - Rated operating tripping over-voltage: (280±14) V AC
 - Wiring capacity: 1-2.5mm² wire
- MN under-voltage release
 - Offer line protection in case of under-voltage faults
 - The circuit breaker for use with the release will be triggered to trip when the voltages at both ends of the releasee drop to the rated voltage range
 - With fault tripping indication available on the front panel, to indicate an under-voltage tripping with the indicator popped up
 - Rated operating tripping under-voltage: (161±8.05) V AC
 - Under-voltage protection range: (35%~70%) of U_e
 - Wiring capacity: 1-2.5mm² wire
- MVMN over/under-voltage release
 - Offer line protection in case of over-voltage and under-voltage faults
 - The circuit breaker for use with the release will be triggered to trip when the voltages at both ends of the releasee rise or drop to the rated voltage range
 - With fault tripping indication available on the front panel, to indicate over-voltage or under voltage tripping with the indicator popped up
 - Rated operating tripping over-voltage: (280±14) V AC
 - Rated operating tripping under-voltage: (161±8.05) V AC
 - Under-voltage protection range: (35%~70%) of U_e
 - Wiring capacity: 1-2.5mm² wire
- MNs loss-voltage release
 - The circuit breaker for use with the release will be triggered to trip when the power supply voltage drops to the rated voltage range, to achieve under-voltage protection
 - Ensure the circuit breaker to close normally when the power supply voltage returns to normal
 - Prevent the circuit breaker from re-closing when the power supply voltage is zero or drops to the rated voltage range
 - With fault tripping indication available on the front panel, to indicate under-voltage tripping when popped up
 - Rated operating tripping under-voltage: (161±8.05) V AC, with under-voltage protection range of (35%~70%) of U_e
 - Normal recovery voltage: ≥85%U_e, with loss-voltage protection range <35%U_e
 - Wiring capacity: 1-2.5mm² wire

Accessory mounting diagram



- 1、Circuit breaker
- 2、MVMN over/under-voltage release, MNs loss-voltage release, MN under-voltage release and MV over-voltage release
- 3、MX+OF shunt release
- 4、OF auxiliary contact
- 5、SD alarm contact

Mounting instruction

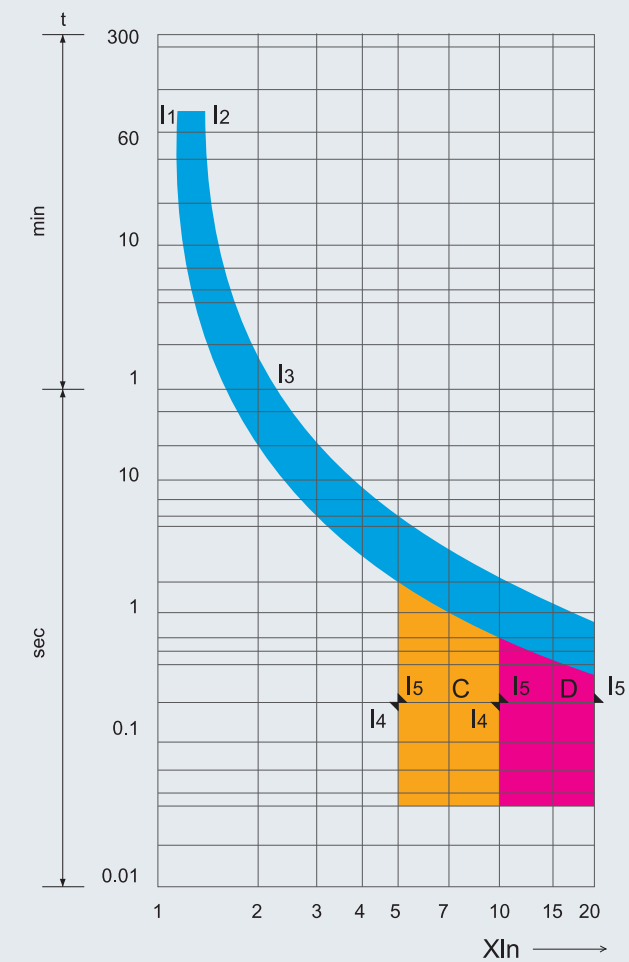
- 1、OF and SD are mounted on the left side of the circuit breaker, and only one accessory can be mounted on the left side of each circuit breaker
- 2、MX+OF, MV, MN, and MVMN are mounted on the right side of the circuit breaker, and only one accessory can be mounted on the right side of each circuit breaker
- 3、Accessories can not be mounted on the right side of EXB3LE-125 residual current products
- 4、Accessories can be mounted to EXB3-125 and EXB3LE-125 series circuit breakers
- 5、The above accessories cannot be ordered separately; they need to be mounted onto the circuit breaker before delivery from the factory

Tripping characteristics

- Tripping characteristics of EXB3-40

Release type		C	D	Start state	Tripping time	Expected outcome
Thermal tripping	I1	1.13In		Cold state	$t \leq 1h$	No tripping
Thermal tripping	I2	1.45In		Following the above test	$t < 1h$	Tripping
Magnetic tripping	I4	5In	10In	Normal temperature	$t \leq 0.1s$	No tripping
Magnetic tripping	I5	10In	20In	Normal temperature	$t < 0.1s$	Tripping

- Tripping characteristic curves

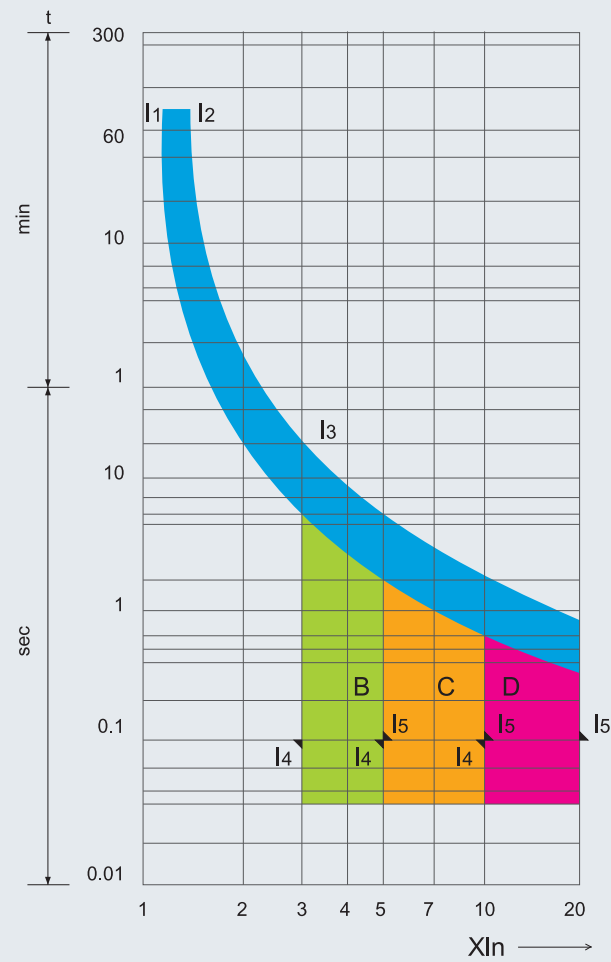


Tripping characteristics

- Tripping characteristics of EXB3-63, EXB3LY-63, and EXB3LE-63

Release type		B	C	D	Start state	Tripping time	Expected outcome
Thermal tripping	I_1	1.13In			Cold state	$t \leq 1h$	No tripping
Thermal tripping	I_2	1.45In			Following the above test	$t < 1h$	Tripping
Magnetic tripping	I_4	3In	5In	10In	Cold state	$t \leq 0.1s$	No tripping
Magnetic tripping	I_5	5In	10In	20In	Cold state	$t < 0.1s$	Tripping

- Tripping characteristic curve

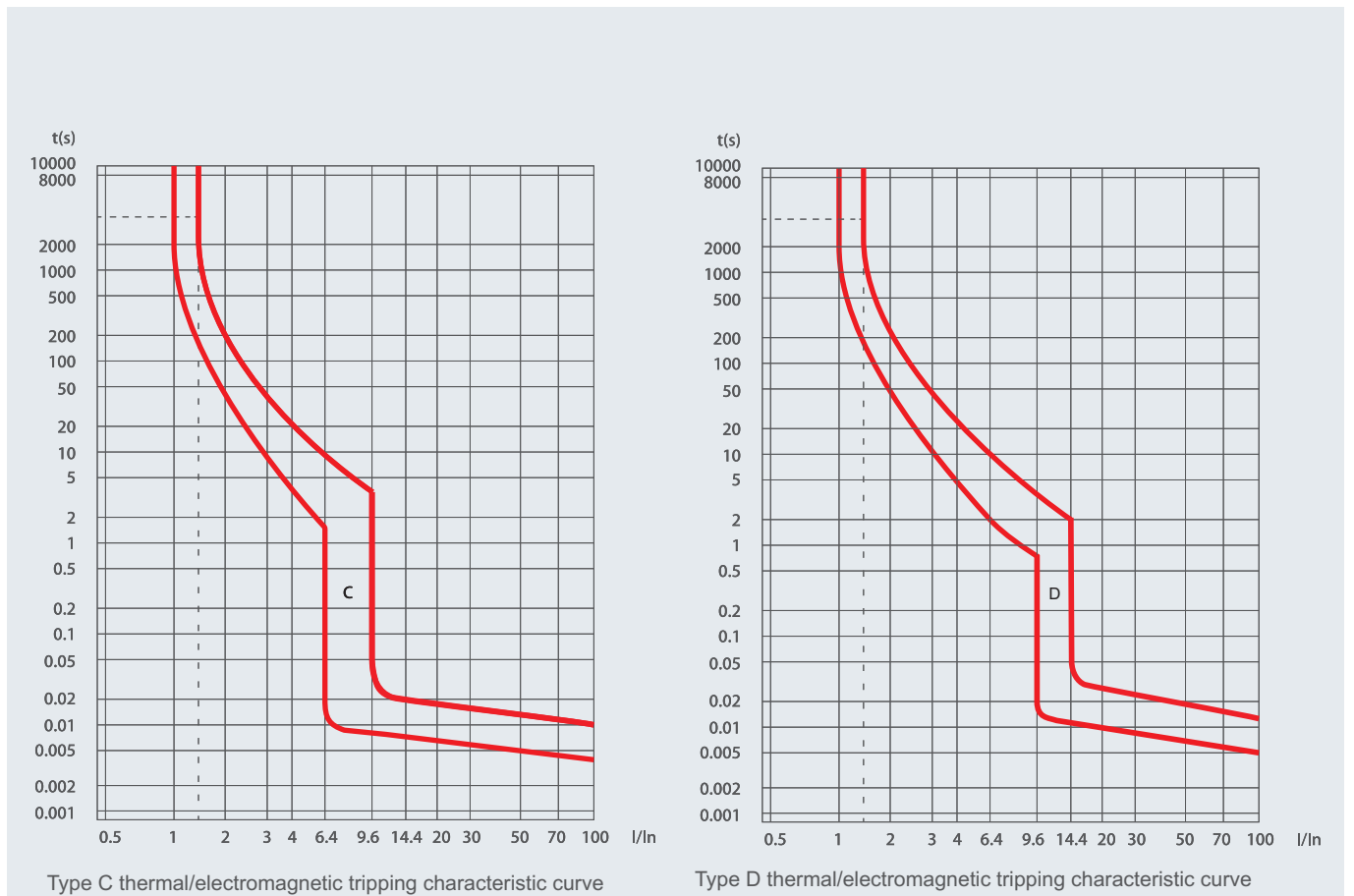


Tripping characteristics

- Tripping characteristics of EXB3-125 and EXB3LE-125

Over-current release type	Magnetic tripping In(A)	Test current (A)	Tripping time	Start state	Expected outcome	Testing ambient temperature
Thermal tripping	≤ 63	1.05In	$\leq 1h$	Cold state	No tripping	$30^{\circ}\text{C} \pm 2^{\circ}\text{C}$
			$\leq 2h$			
	> 63	1.30In	$< 1h$	Thermal state	Tripping	
			$< 2h$			
Magnetic tripping	63, 80, 100, 125	6.4In	$\leq 0.2s$	Cold state	No tripping	Normal temperature
			$< 0.2s$		Tripping	
			$\leq 0.2s$		No tripping	
			$< 0.2s$		Tripping	
			$\leq 0.2s$		No tripping	
			$< 0.2s$		Tripping	

- Tripping characteristic curve



Temperature correction table

Temperature correction table of EXB3-40

Rated current A	Rated current correction value A										
	-35°C	-20°C	-10°C	0°C	10°C	20°C	30°C	40°C	50°C	60°C	70°C
6	1.3	1.23	1.18	1.13	1.08	1.03	1	0.96	0.91	0.87	0.82
10-25	1.27	1.24	1.19	1.13	1.07	1.02	1	0.96	0.91	0.87	0.82
32-40	1.27	1.24	1.19	1.13	1.08	1.04	1	0.97	0.92	0.88	0.83

Temperature correction table of EXB3-63

Rated current A	Rated current correction value A										
	-35°C	-20°C	-10°C	0°C	10°C	20°C	30°C	40°C	50°C	60°C	70°C
1-6	1.28	1.25	1.18	1.13	1.08	1.03	1	0.96	0.91	0.87	0.82
10-25	1.27	1.24	1.19	1.13	1.07	1.02	1	0.96	0.91	0.87	0.82
32-40	1.27	1.24	1.19	1.13	1.08	1.04	1	0.97	0.92	0.88	0.83
50-63	1.28	1.25	1.18	1.13	1.08	1.03	1	0.96	0.91	0.87	0.82

Temperature correction table of EXB3-63H

Rated current A	Rated current correction value A										
	-35°C	-20°C	-10°C	0°C	10°C	20°C	30°C	40°C	50°C	60°C	70°C
1-6	1.28	1.25	1.18	1.13	1.08	1.03	1	0.96	0.91	0.87	0.82
10-25	1.27	1.24	1.19	1.13	1.07	1.02	1	0.96	0.91	0.87	0.82
32-40	1.27	1.24	1.19	1.13	1.08	1.04	1	0.97	0.92	0.88	0.83
50-63	1.28	1.25	1.18	1.13	1.08	1.03	1	0.96	0.91	0.87	0.82

Temperature correction table of EXB3-125

Rated current A	Rated current correction value A											
	-40°C	-30°C	-20°C	-10°C	0°C	10°C	20°C	30°C	40°C	50°C	60°C	70°C
63	1.31	1.29	1.25	1.2	1.15	1.11	1.05	1	0.94	0.88	0.82	0.75
80	1.31	1.29	1.25	1.2	1.15	1.11	1.05	1	0.94	0.88	0.82	0.75
100	1.31	1.29	1.25	1.2	1.15	1.11	1.05	1	0.94	0.88	0.82	0.75
125	1.31	1.29	1.25	1.2	1.15	1.11	1.05	1	0.94	0.88	0.82	0.75

Temperature correction table

Temperature correction table of EXB3LY-63

Rated current A	Rated current correction value A										
	-35°C	-20°C	-10°C	0°C	10°C	20°C	30°C	40°C	50°C	60°C	70°C
6	1.45	1.4	1.3	1.23	1.15	1.08	1	0.98	0.96	0.93	0.91
10-25	1.27	1.24	1.19	1.13	1.08	1.04	1	0.98	0.95	0.92	0.89
32-40	1.27	1.24	1.19	1.13	1.08	1.04	1	0.97	0.92	0.89	0.87
50-63	1.26	1.25	1.18	1.13	1.08	1.03	1	0.95	0.9	0.86	0.84

Temperature correction table of EXB3LE-63

Rated current A	Rated current correction value A										
	-35°C	-20°C	-10°C	0°C	10°C	20°C	30°C	40°C	50°C	60°C	70°C
6	1.45	1.4	1.3	1.23	1.15	1.08	1	0.98	0.96	0.93	0.91
10-25	1.27	1.24	1.19	1.13	1.08	1.04	1	0.98	0.95	0.92	0.89
32-40	1.27	1.24	1.19	1.13	1.08	1.04	1	0.97	0.92	0.89	0.87
50-63	1.26	1.25	1.18	1.13	1.08	1.03	1	0.95	0.9	0.86	0.84

Temperature correction table of EXB3LE-63H

Rated current A	Rated current correction value A										
	-35°C	-20°C	-10°C	0°C	10°C	20°C	30°C	40°C	50°C	60°C	70°C
6	1.45	1.4	1.3	1.23	1.15	1.08	1	0.98	0.96	0.93	0.91
10-25	1.27	1.24	1.19	1.13	1.08	1.04	1	0.98	0.95	0.92	0.89
32-40	1.27	1.24	1.19	1.13	1.08	1.04	1	0.97	0.92	0.89	0.87
50-63	1.26	1.25	1.18	1.13	1.08	1.03	1	0.95	0.9	0.86	0.84

Temperature correction table of EXB3LE-125

Rated current A	Rated current correction value A											
	-40°C	-30°C	-20°C	-10°C	0°C	10°C	20°C	30°C	40°C	50°C	60°C	70°C
63	1.31	1.29	1.25	1.2	1.15	1.11	1.05	1	0.94	0.88	0.82	0.75
80	1.31	1.29	1.25	1.2	1.15	1.11	1.05	1	0.94	0.88	0.82	0.75
100	1.31	1.29	1.25	1.2	1.15	1.11	1.05	1	0.94	0.88	0.82	0.75
125	1.31	1.29	1.25	1.2	1.15	1.11	1.05	1	0.94	0.88	0.82	0.75

